



Acme Sanitary Ware Co Ltd

Acme Building, 22-28 Nanking Street, Kowloon, Hong Kong
Tel: 2388 7171 Fax: 2710 8012
E-mail: acme@acmesanitary.com.hk
Website: www.acmesanitaryware.com.hk



Pure Freude
an Wasser

PROJECT		REF		REV	ITEM CODE	
LOCATION		DATE			PAGE	

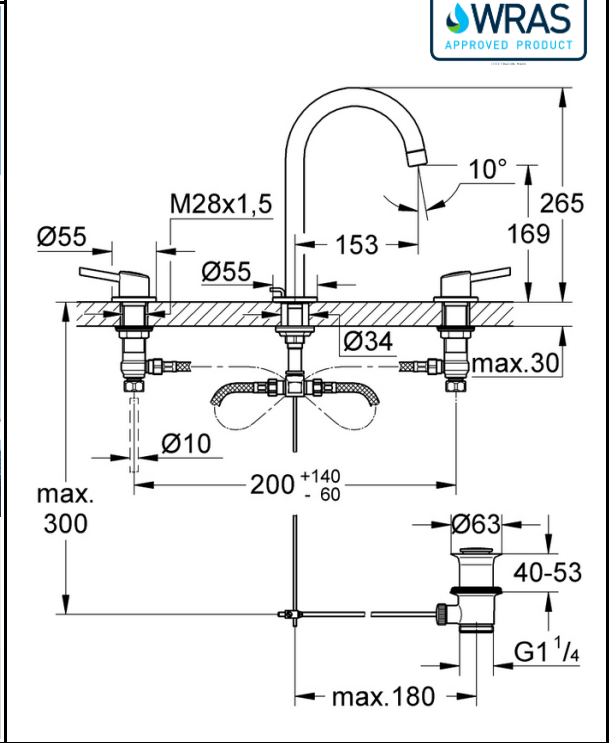
SANITARY WARE SPECIFICATION SHEET

Item Descriptions	GROHE (Germany) "Concetto" Three-hole basin mixer 1/2" L-Size
Dimensions	L153 x W200 x H265 mm
Model	20216001
Finish	Chrome Plated
Country of origin	Thailand
Manufacturer	GROHE AG
Supplier	Acme Sanitary Ware Co. Ltd Mr. Eric Wong/ Mr. Don Yuen
Contact Tel/Fax	(852) 2388-7171 / (852) 2710-8012
E-mail	acme@acmesanitary.com.hk
Website	www.acmesanitary.com.hk



"Concetto"
Three-hole basin mixer 1/2" L-Size

- ceramic headpart
- **GROHE StarLight** chrome finish
- **GROHE QuickFix** installation system with centering support
- spout with mousseur
- pop-up waste set 1 1/4"
- pressure-proof, flexible connection hoses between middle-body and side valves



Note: [YouTube \(Grohe 20216001\) https://www.youtube.com/watch?v=kwASn_O9RmA](https://www.youtube.com/watch?v=kwASn_O9RmA)
[YouTube \(Unboxing 20216001\) https://www.youtube.com/watch?v=LUuSDBH9q08](https://www.youtube.com/watch?v=LUuSDBH9q08)

* All information of the above is for the reference only. No prior notice is made if any changes.



PROJECT		REF		REV	ITEM CODE	
LOCATION		DATE			PAGE	

SANITARY WARE SPECIFICATION SHEET

Easy to clean thanks to the GROHE StarLight chrome coating

Just wipe the tap down with a dry cloth – the ultra smooth surface finish is scratch resistant and ensures a lasting luminous sheen. You'll save plenty of time cleaning while your tap always looks shiny and new.

GROHE QuickFix Plus quick and easy installation in a few simple steps

Save time on the installation of your tap with GROHE QuickFix Plus. Consisting of fewer parts, our new system makes the installation process quicker and easier than ever.

Pos.-nr.	Prod. description	Order-nr.
1	Handle pair	48310000
2	Ceramic headpart, 1/2"	45882000
2.1	O-ring Ø 18.2 x Ø 1.7	0392400M
3	Ceramic headpart, 1/2"	45883000
3.1	O-ring Ø 18.2 x Ø 1.7	0392400M
4	Coupling nut 1/2"	1290100M
4.1	Fibre seal Ø 18,5 x Ø 12 x 2	0138900M
5	Mousseur	06574000
6	Pop-up rod	65196000
7	Fixing clamp	6554100M
8	Waste set 1 1/4"	28910000
8.1	Plug for waste set 1 1/4"	07182000
8.2	Eccentric rod	07052000
9	Flexible connection hose	45704000
10	Coupling nut 1/2" x 14.5 mm	1290200M*
11	Ball rod	07341000*

* Optional accessories

Note:

* All information of the above is for the reference only. No prior notice is made if any changes.